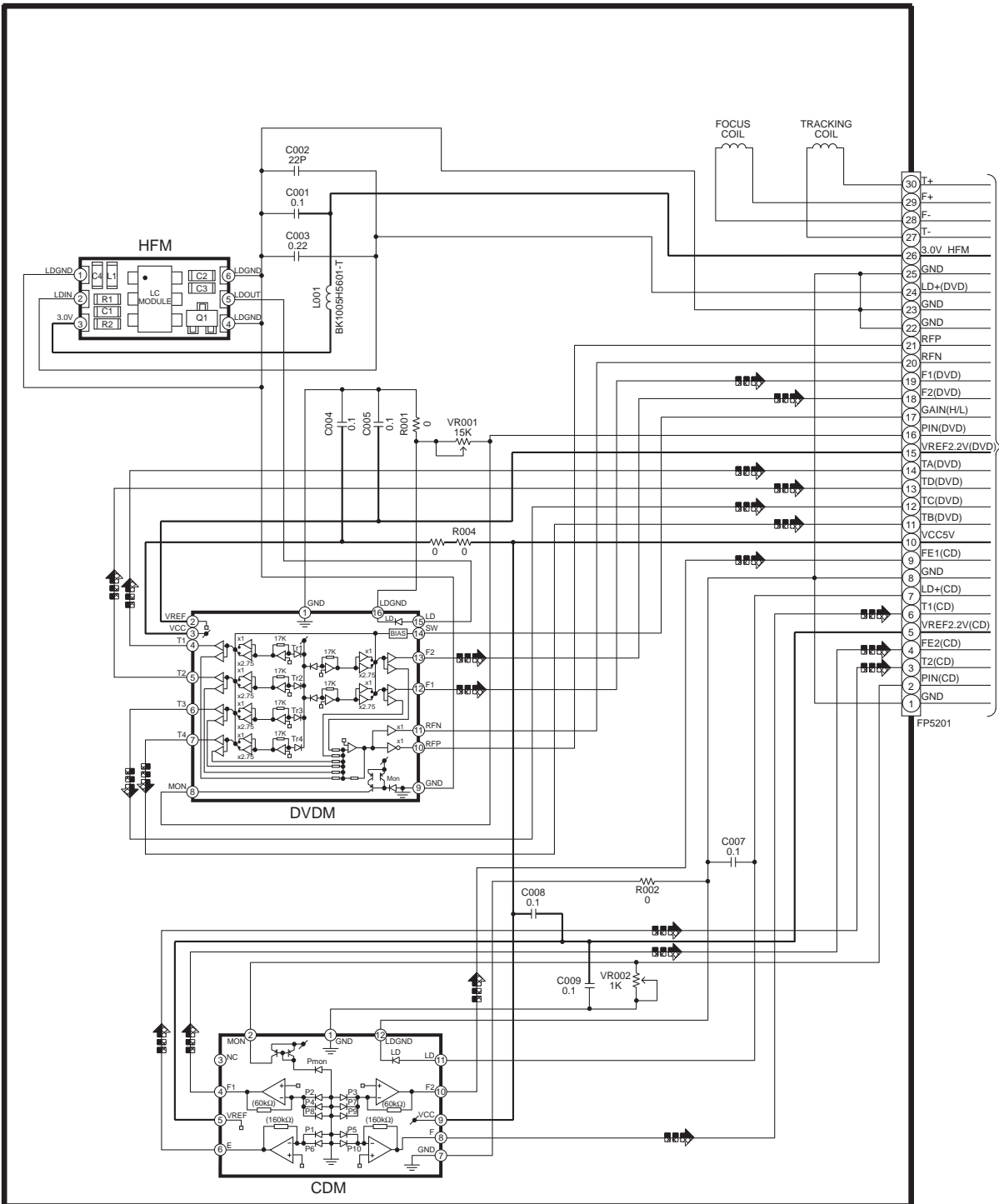


SCHEMATIC DIAGRAM - 1

———— : +B SIGNAL LINE  : DVD (AUDIO/VIDEO) SIGNAL LINE



OPTICAL PICKUP UNIT



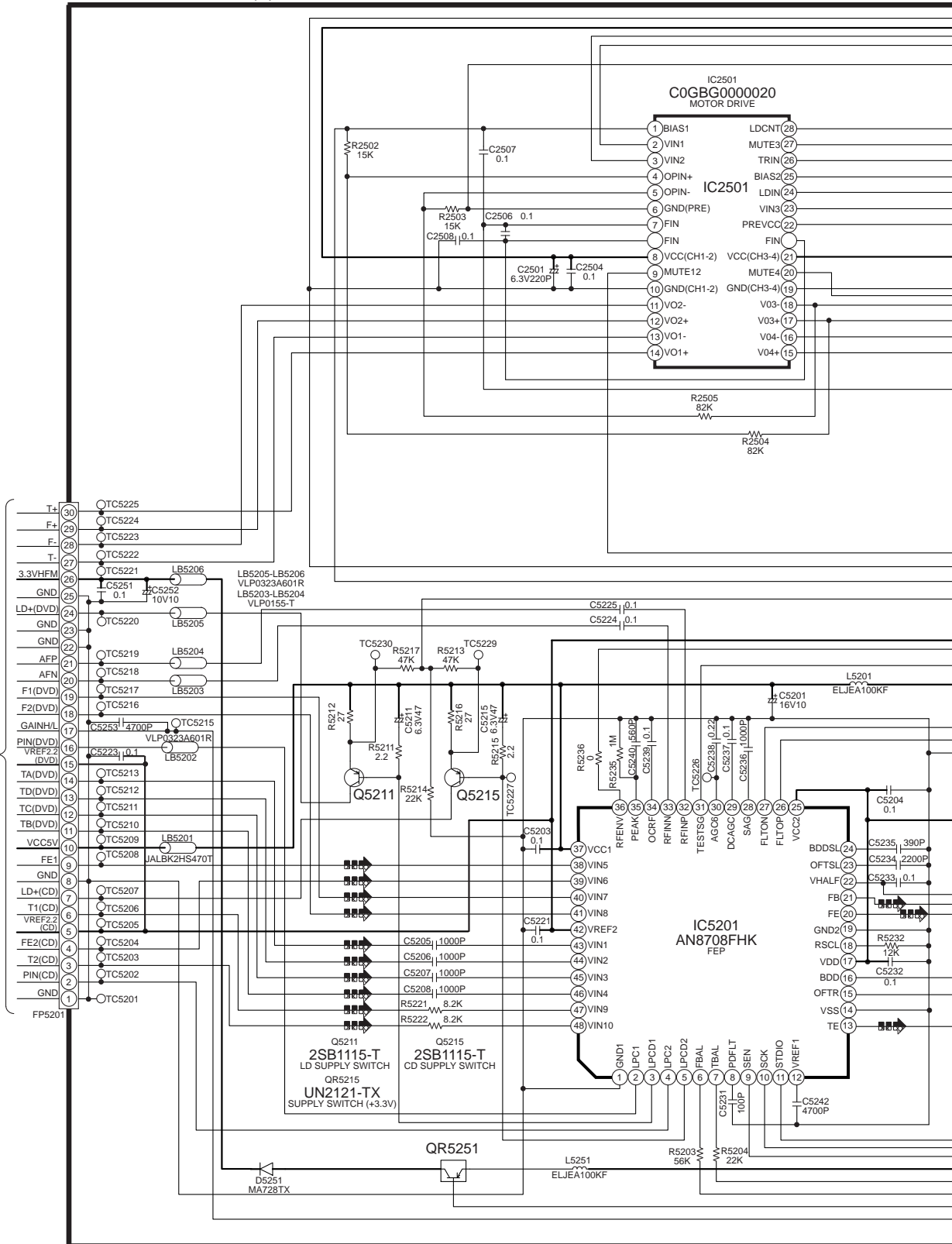
A
TO DVD MODULE
(1)CIRCUIT
(FP5201) ON
SCHEMATIC
DIAGRAM-2

SCHEMATIC DIAGRAM - 2

A DVD MODULE(1) CIRCUIT

— : +B SIGNAL LINE  : DVD (AUDIO/VIDEO) SIGNAL LINE

TO OPTICAL PICKUP UNIT (FP5201) ON SCHEMATIC DIAGRAM-1

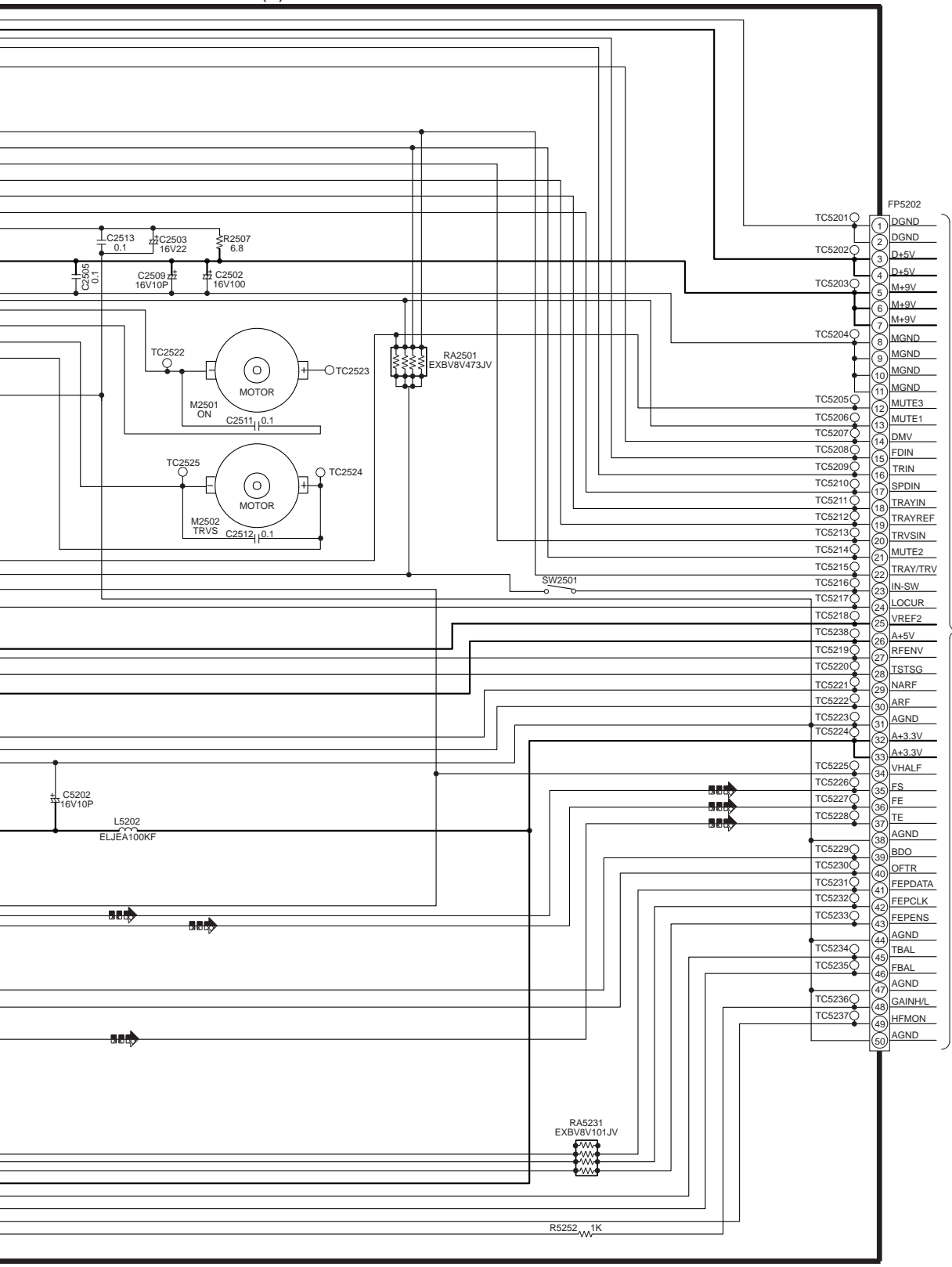


SCHEMATIC DIAGRAM - 3

A

DVD MODULE(1) CIRCUIT

— : +B SIGNAL LINE  : DVD (AUDIO/VIDEO) SIGNAL LINE



TO **B**
DVD MODULE(2)
CIRCUIT
(FP2001) ON
SCHEMATIC
DIAGRAM-4